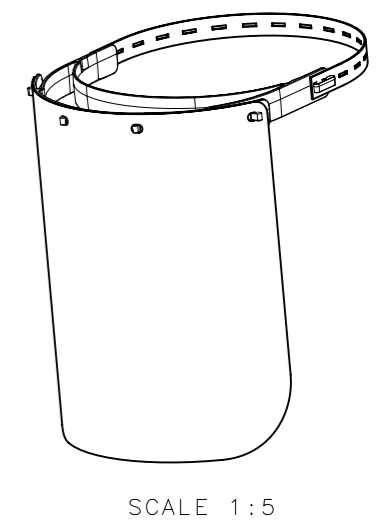
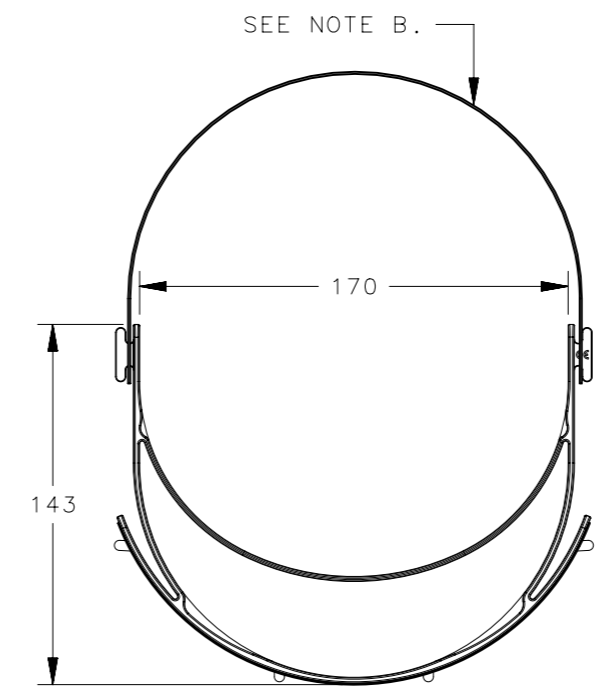
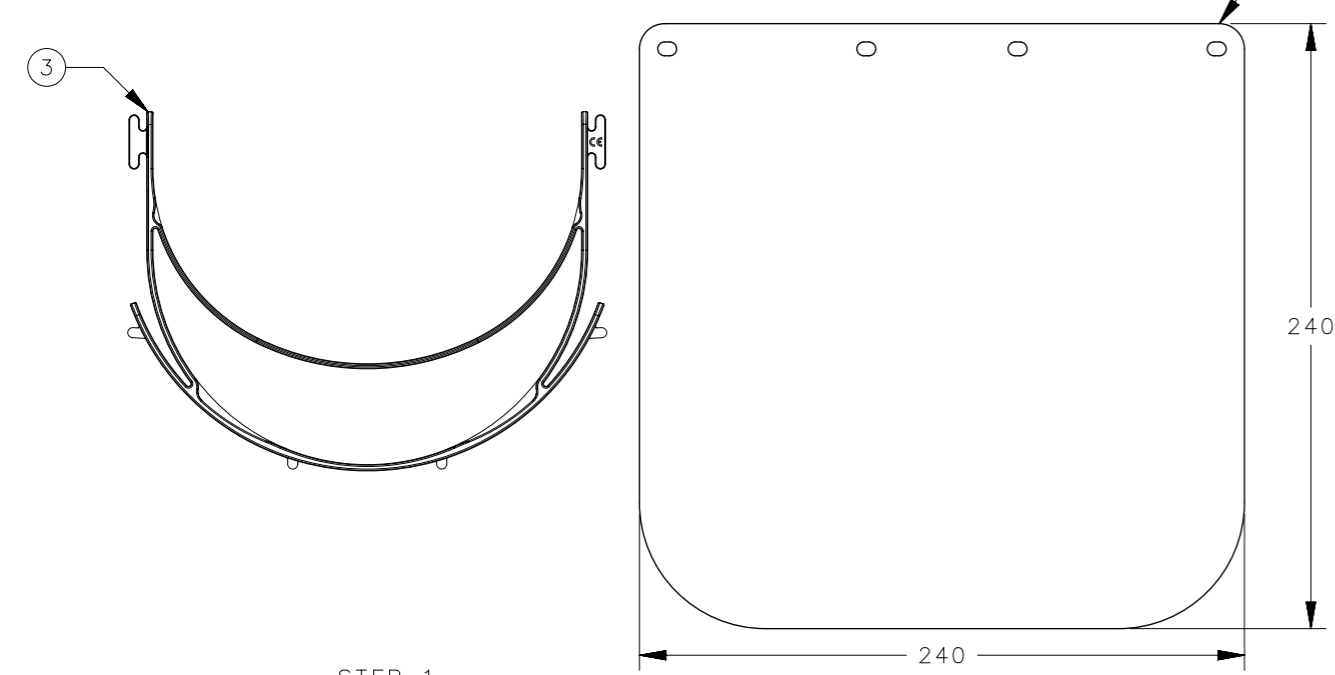
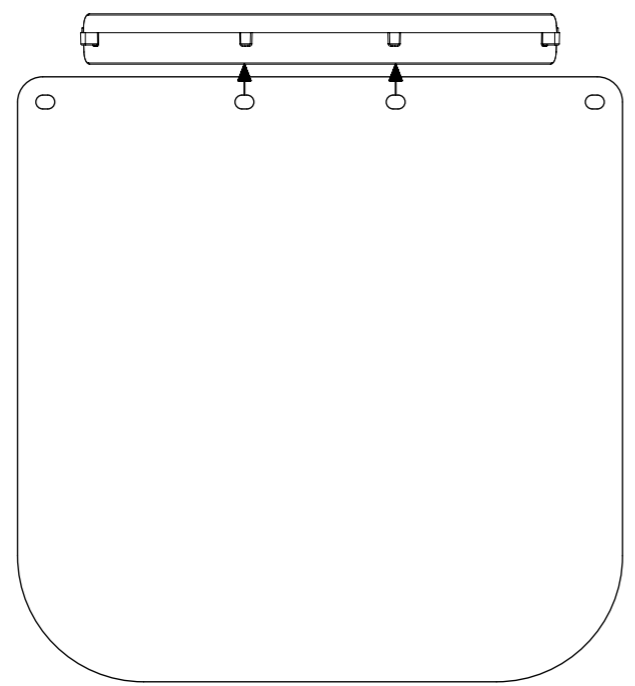


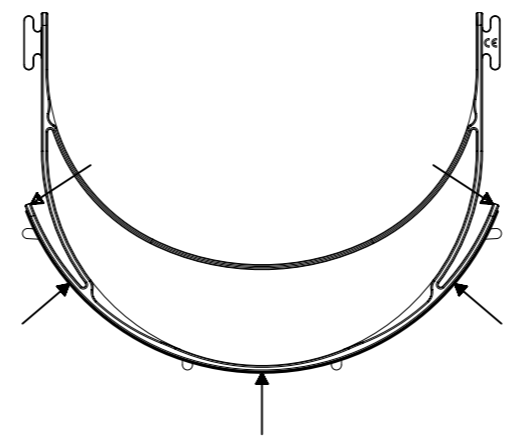
REVISION HISTORY			
REV	DATE	BY	DESCRIPTION
B	15MAY2020	JD/AJT	PRN:P2020-0868



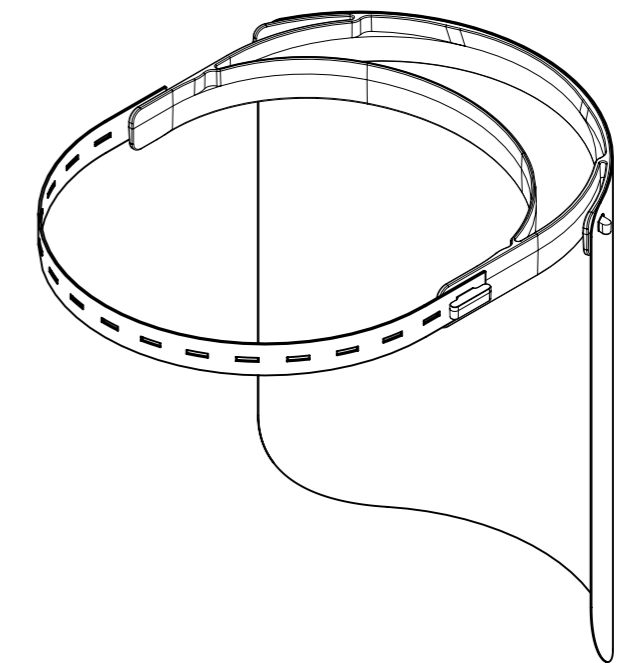
STEP 1



STEP 2



STEP 3



NOTES:

A). ASSEMBLY GUIDE.

STEP 1). REMOVE THE PROTECTIVE FILM FROM BOTH SIDES OF THE VISOR, LOCATE THE VISOR ONTO THE CENTER 2 PEGS ON THE HEADBAND.

STEP 2). APPLY PRESSURE TO STRAIGHTEN THE HEADBAND IN THE LOCATION SHOWN SIMULTANEOUSLY PRESSING THE VISOR AROUND THE HEADBAND AND SECURING ONTO THE OUTER 2 PEGS. ONCE VISOR SECURED ON PEGS RELEASE PRESSURE ON THE HEADBAND.

STEP 3). TAKE EITHER END OF THE ELASTIC STRAP AND HOOK IT AROUND THE PROTRUSION ON EITHER SIDE OF THE HEADBAND. PLACE THE OTHER END OF THE ELASTIC BAND ON THE OPPOSITE SIDE OF THE HEADBAND. ADJUST THE LENGTH IF NEEDED. THE FACE SHIELD IS NOW READY TO USE. STERILIZE THE FACE SHIELD BEFORE USE.

B). FACE SHIELD WILL FIT UK HAT SIZES S(6 5/8) TO XXL(7 7/8)

C). 90-99-4828: QTY X 50  
90-99-4828-P: QTY X 01 (SAMPLE PACK)

3	-	HEADBAND	POLYPROPYLENE	BLACK
2	-	VISOR	ANTI FOG PET	CLEAR
1	-	ELASTIC STRAP	POLYESTER BRAIDED ELASTIC	BLACK
-	90-99-4828-X (SEE NOTE C)	-	-	-
NO.	PART NUMBER	TYPE OF COMPONENT	MATERIAL	COLOUR

THIRD ANGLE PROJECTION	 CONNECT • CREATE • INNOVATE			
TOLERANCES UNLESS OTHERWISE NOTED		DESCRIPTION		
ALL DIMENSIONS WITHOUT TOLERANCES ARE FOR REFERENCE ONLY.		FACE SHIELD		
PROPRIETARY ITEM EXCEPT FOR USES EXPRESSLY GRANTED IN WRITING, INFORMATION DISCLOSED HEREON IS CONFIDENTIAL AND ALL RIGHTS, PATENT AND OTHERWISE, ARE RESERVED BY SOUTHCO, INC.	PER ASME Y14.5M-1994	SIZE A3	SYSTEM NX	DWG NO. J-90-99-4828
		DRAWN BY JD	DATE 18APR2020	SCALE 1:3
				SHEET 1 OF 1